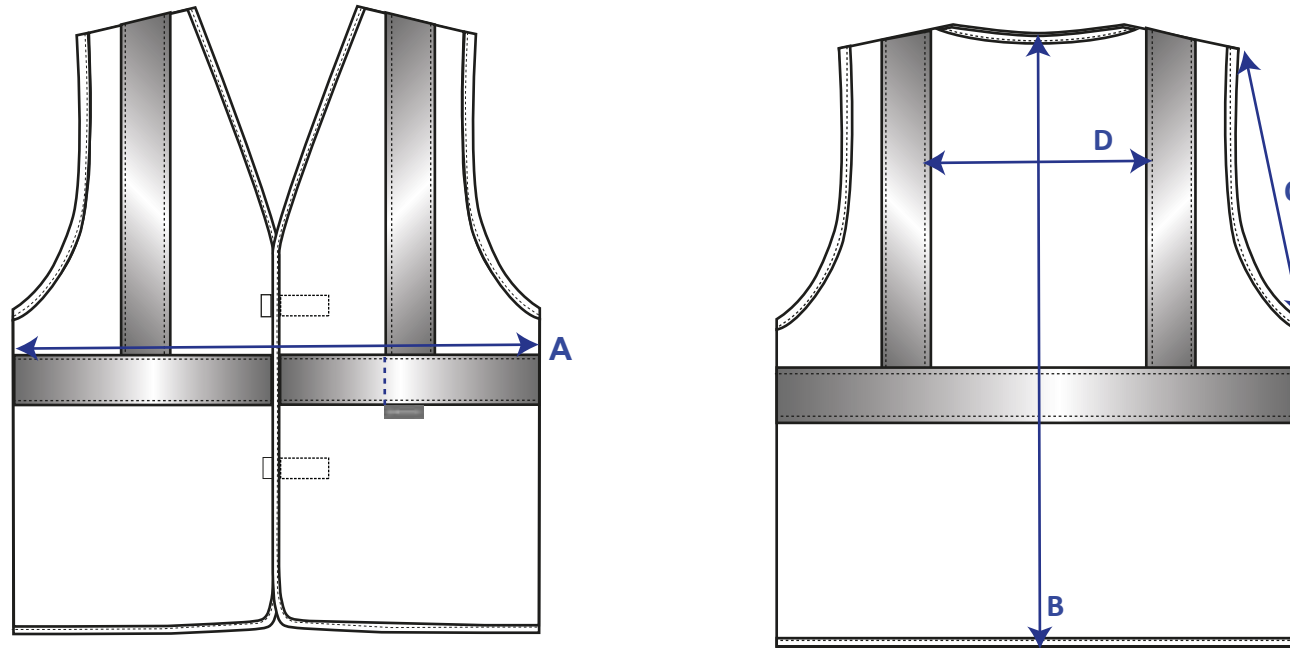


STYLE NO: C472

DESCRIPTION: **Hi-Vis One Band & Brace Vest**

FABRIC: **100% Warp Knit Polyester**

COLOUR: **Yellow/Orange**



ALL MEASUREMENTS IN CM, MEASURED FLAT

		S/M	L/XL	XXL/3XL	4XL/5XL	6XL/7XL	TOLS (+)
A	CHEST FASTENED 2.5CM BELOW THE ARMHOLE	58	64	72	80	88	1
B	CENTRE BACK LENGTH	70	70	70	76	76	1
C	ARMHOLE STRAIGHT	35	36	37	38	39	0.5
D	DISTANCE BETWEEN VERTICAL TAPES	31	33	35	37	39	0.5